

IT IS HIGHLY RECOMMENDED THAT THE INSTRUCTIONS BE READ THROUGH BEFORE INSTALLATION.



SIERRA 800

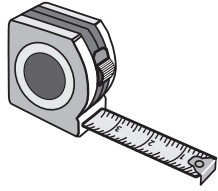
SCREENED PORCH • GAZEBOS • GARAGE OPENINGS
INSTALLATION INSTRUCTIONS

INSTALLATION TOOLS

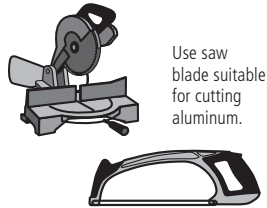
PHILLIPS SCREWDRIVER



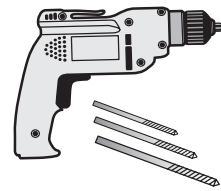
MEASURING TAPE



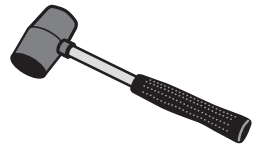
HAND-HELD OR POWER SAW



POWER DRILL & BITS



RUBBER Mallet



NEEDLE PLIERS

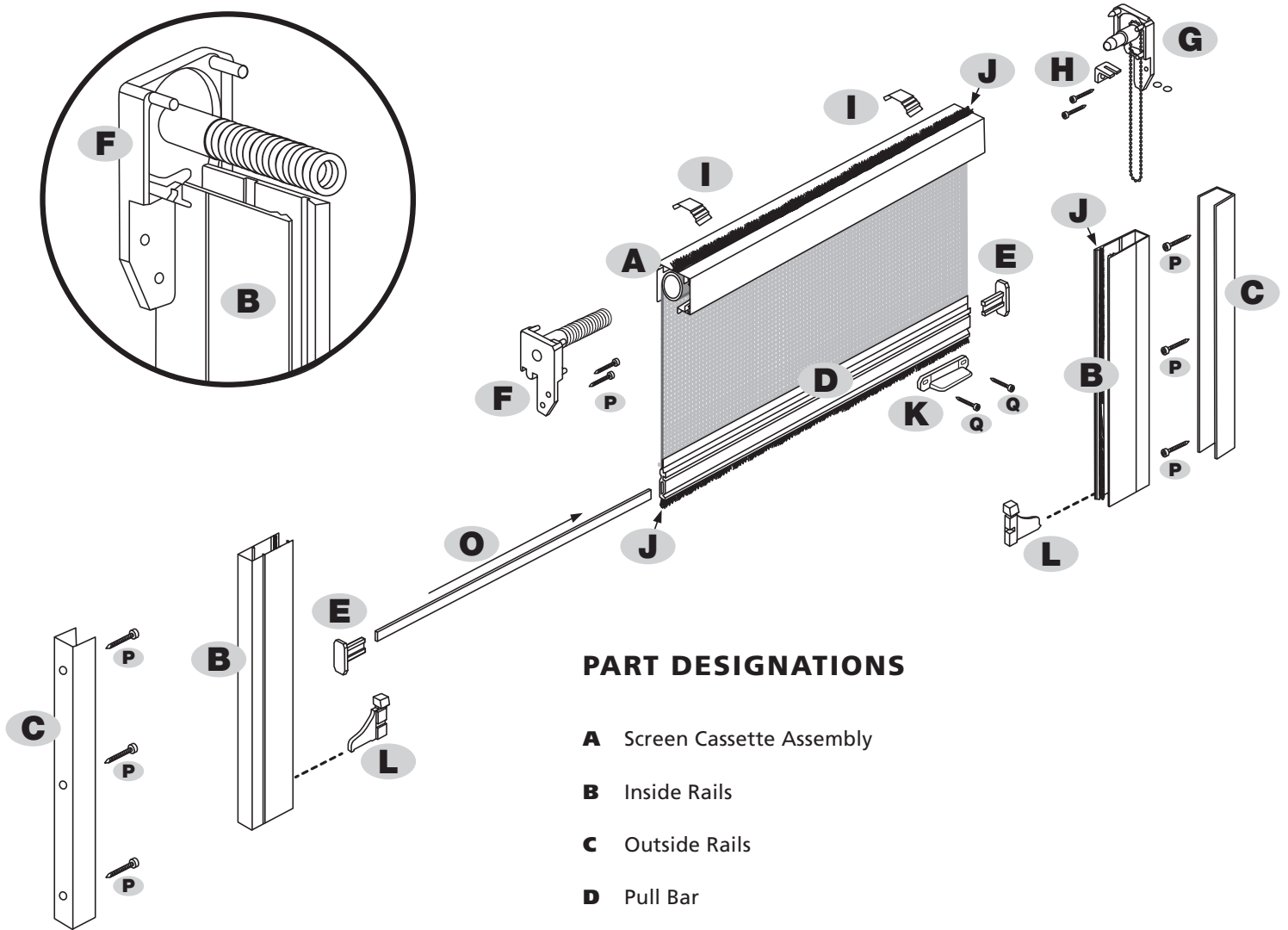


PENCIL OR PEN



The instructions are split into two sections: **RECESS INSTALLATION, PAGE 2**, and **SURFACE INSTALLATION, PAGE 6**. Determine which you need before starting.

Please contact Genius for additional custom sizes and colors.

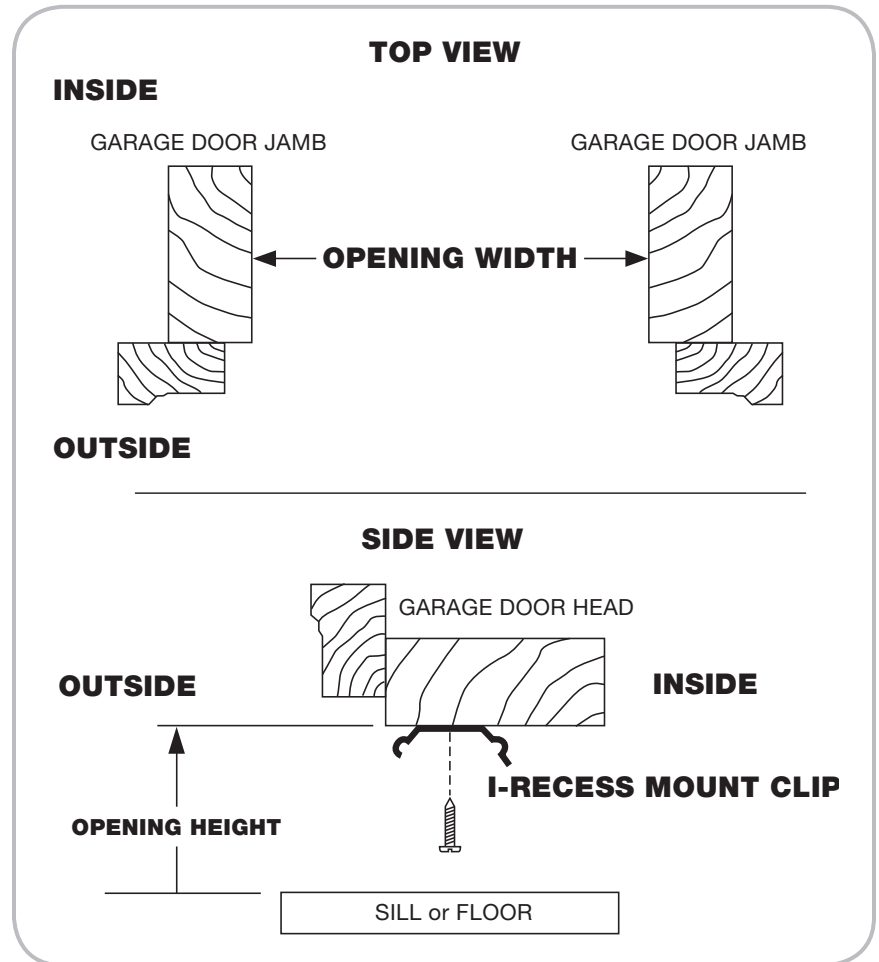


PART DESIGNATIONS

- A** Screen Cassette Assembly
- B** Inside Rails
- C** Outside Rails
- D** Pull Bar
- E** Pull Bar End Caps
- F** End Cap with Spring
- G** End Cap with Chain
- H** Chain Lock
- I** Recess Mount Clips
- J** Weather Strip
- K** Foot Release Lever
- L** Pull Bar Locks
- O** Weight Bar
- P** #8 x 1" (25mm) Panhead Screw
- Q** #6 x 3/8" (9mm) Phillips Panhead Screw

1 MEASURING AND CUTTING

Determine the maximum opening height & width for mounting your screen, as shown below. Check for interference with garage door.

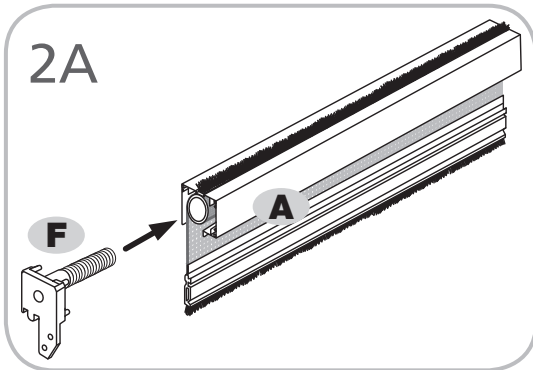


IMPORTANT
Use a square or miter box to insure straight cuts on the cassette.

Record your opening measurements on the chart below to calculate your measurements.

Width		
OPENING WIDTH _____ "	LESS 7/8" TO ALLOW FOR END CAPS - 7/8"	CASSETTE LENGTH = _____ "
Height		
OPENING WIDTH _____ "	LESS 2-1/8" TO ALLOW FOR CASSETTE END CAPS AND RECESS MOUNT CLIPS - 2 1/8"	INSIDE & OUTSIDE RAIL LENGTHS (B & C) = _____ "

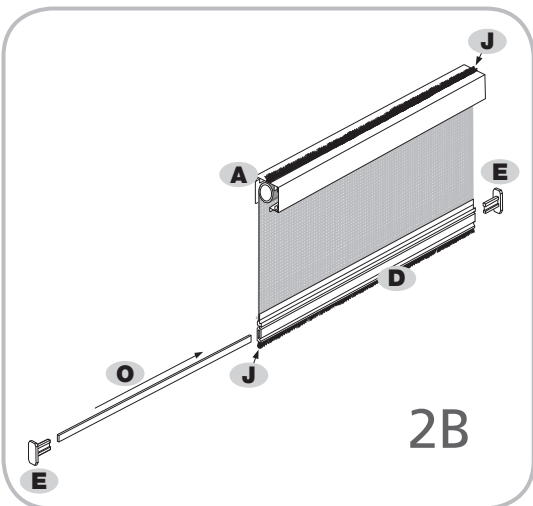
Cut all parts to length using the calculations above.
Keep the plastic film on the cassette until all cuts are completed.



2 PREPARING THE SCREEN CASSETTE

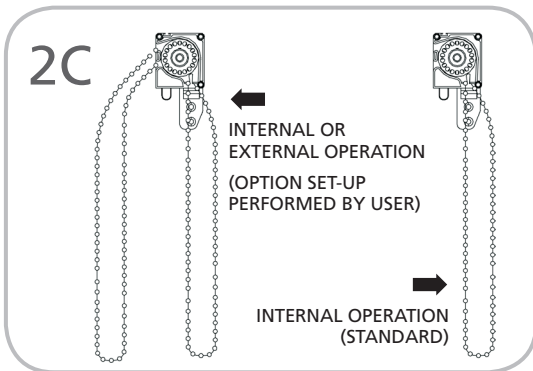
Insert **F-End Cap with Spring** into the correct end of the **A-Screen Cassette Assembly [2A]** (the assembly will only fit correctly in one end). Make sure to line up the spring and bushing notches with the slot in the center screen tube. Wind the spring clockwise the number of turns designated in the following chart and push the **F-End Cap with Spring** in place on the **A-Screen Cassette Assembly**. A rubber mallet is helpful to fully seat the **F-End Cap with Spring**. Note that the spring in the cassette is for tension only. You will need to raise and lower the screen by using the **G-End Cap Chain**.

OPENING WIDTH	SPRING TENSION
36" - 72"	25
73" - 120"	30
120" - 140"	35
140" - 192"	40



OPPOSITE END OF CARTRIDGE

Test **Chain Guide** for smooth operation. If it's too tight, loosen allen screw. Insert the **F-End Cap with Chain** into **A-Screen Cassette Assembly** and push into place. The **F-End Cap with Chain** is setup for internal operation (operating from one side). If desired this can be disassembled and altered to allow for either internal or external operation [2C].



Slide one piece of the **J-Weatherstrip** into bottom slot of **D-Pull Bar** and the other piece into the top of **A-Screen Cassette Assembly**. Insert the **O-Weight Bars** inside the hollow of the **D-Pull Bar**. Insert **E-Pull Bar End Caps** into ends of **D-Pull Bar [2B]**.

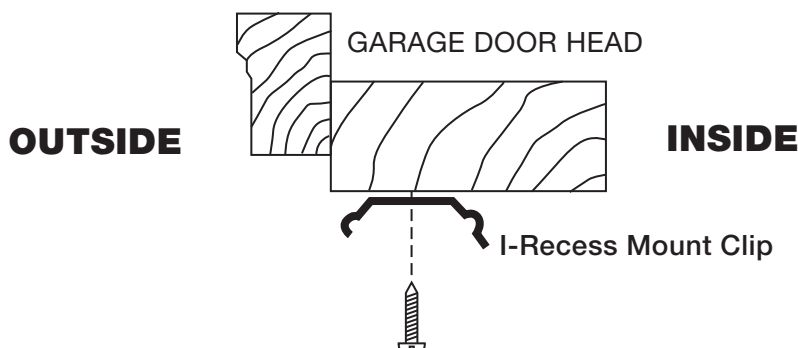
3 MOUNTING THE SCREEN CASSETTE

Mount the **I-Recess Mount Clips** to the inside of opening. When installed, the clips should be centered above the cassette. Install a **P - #8x1" (25mm) Panhead Screw** into the center of the slot to allow front to back adjustment [below].

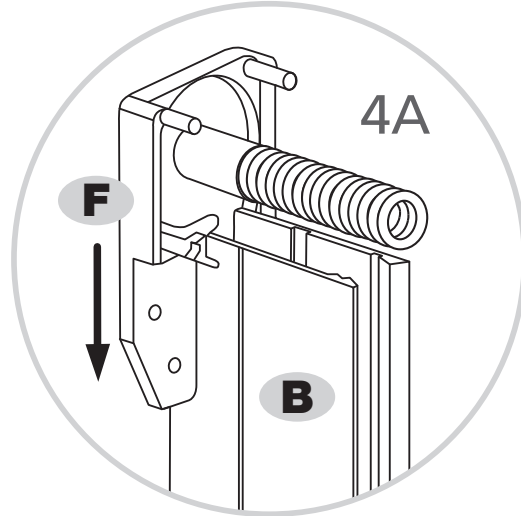
Snap the **A-Screen Cassette Assembly** into place. Secure the **A-Screen Cassette Assembly** in place by screwing the **F-End Cap** and **G-End Cap** to the side jamb of the opening. The **I-Recess Mount Clips** and **A-Screen Cassette Assembly** may be reversed to face toward the inside or outside of an opening depending upon which side the Pull Chain needs to be accessible. See image 2C for optional user performed Pull Chain routing options.

NOTE: the **I-Recess Mount Clips** lower the **A-Screen Cassette Assembly** in the opening by 1/4". The same 1/4" gap should be left above the **F & G-End Caps** to avoid bowing the cassette.

SIDE VIEW



4 INSTALLING SIDE RAILS



Install the L-Pull Bar Locks at the bottom of each B-Inside Rail. Be sure that the L-Pull Bar Lock engages the D-Pull Bar as shown in image [4C]. Slide both C-Outside Rails onto the tabs protruding from the F and G-Cassette Caps [4A]. Attach to jamb with P - #8x1" (25mm) Panhead Screws. Press B-Inside Rails into C-Outside Rails with the shorter pile to the inside until they are evenly seated [4B].

Using the height adjustment wheel on the L-Pull Bar Lock, adjust the height to the appropriate level so that it easily engages the L-Pull Bar. When correctly adjusted the latching and unlatching should be smooth and easy.

5 CHAIN LOCK

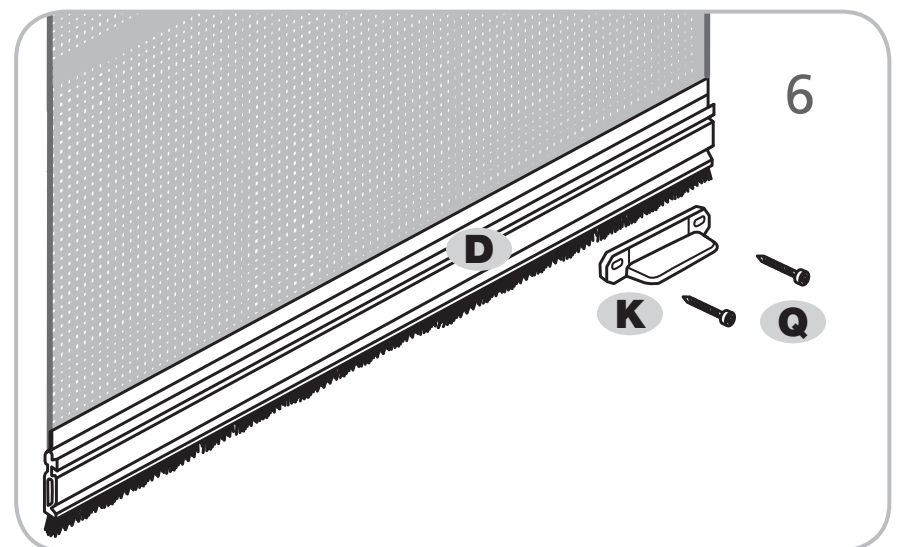
Position H-Chain Lock on the side wall jamb so that it rests approximately 42" up from the sill of the floor. Attach the side jamb using P - #8 x 1" (25mm) Phillips Panhead Screws.

When the screen is fully extended and being used the Pull Chain should be operated so that the screen fabric is taut in the opening and then the chain should be secured by the H-Chain Lock. This will help retain the screen fabric in the B-Inside Rails as wind hits the screen fabric.

CAUTION: Keep chain out of the reach of children at all times.

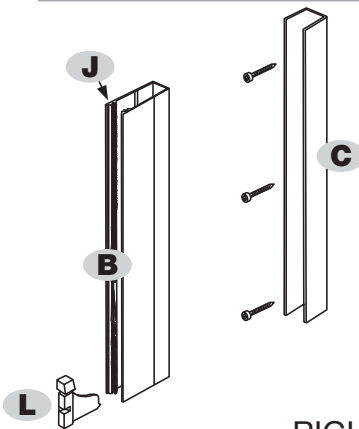
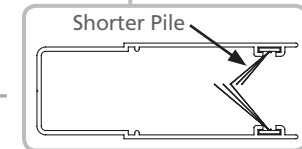
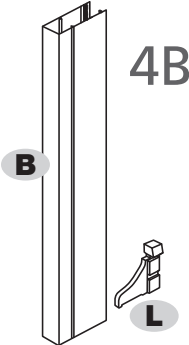
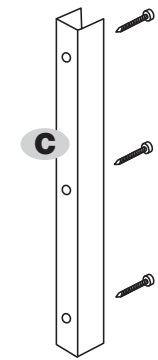
6 FOOT RELEASE LEVER

The K-Foot Release Lever is an optional feature that makes it easier to slightly rotate the D-Pull Bar in order to disengage the L-Pull Bar Locks without bending over. Before installing, position the K-Foot Release Lever 12" to 20" from the end of the D-Pull Bar on the side closest to the Pull Chain. Attach the K-Foot Release Lever to the D-Pull Bar using two Q - #6 x 3/8" (9mm) Phillips Panhead Screws.



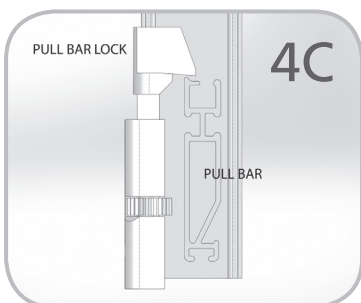
Windy conditions may affect the performance of a retractable screen. Retract the screen in windy circumstances, during inclement weather, when not needed to support immediate ventilation or during prolonged periods when not used.

LEFT



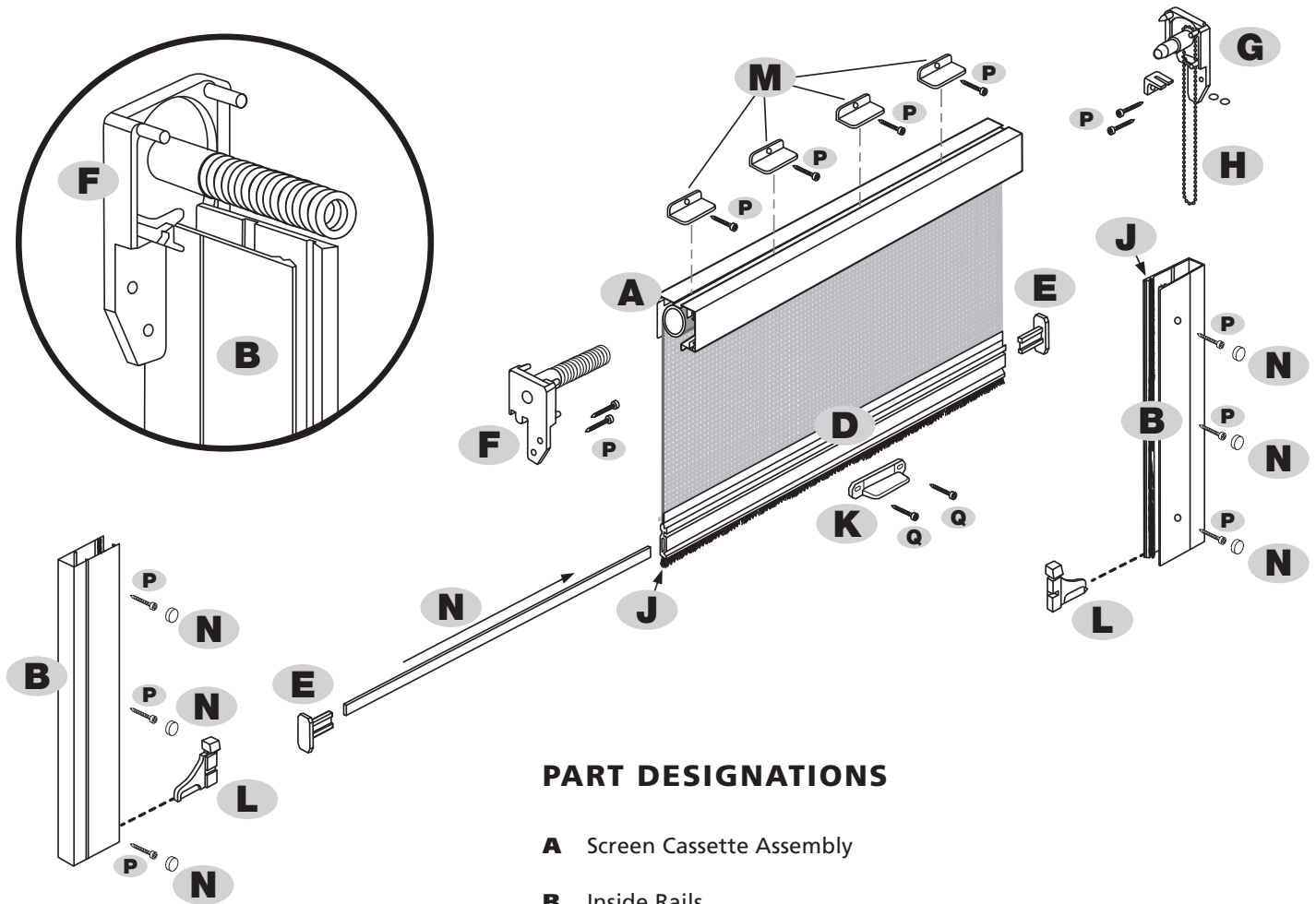
RIGHT

PULL BAR LOCK



4C

PULL BAR

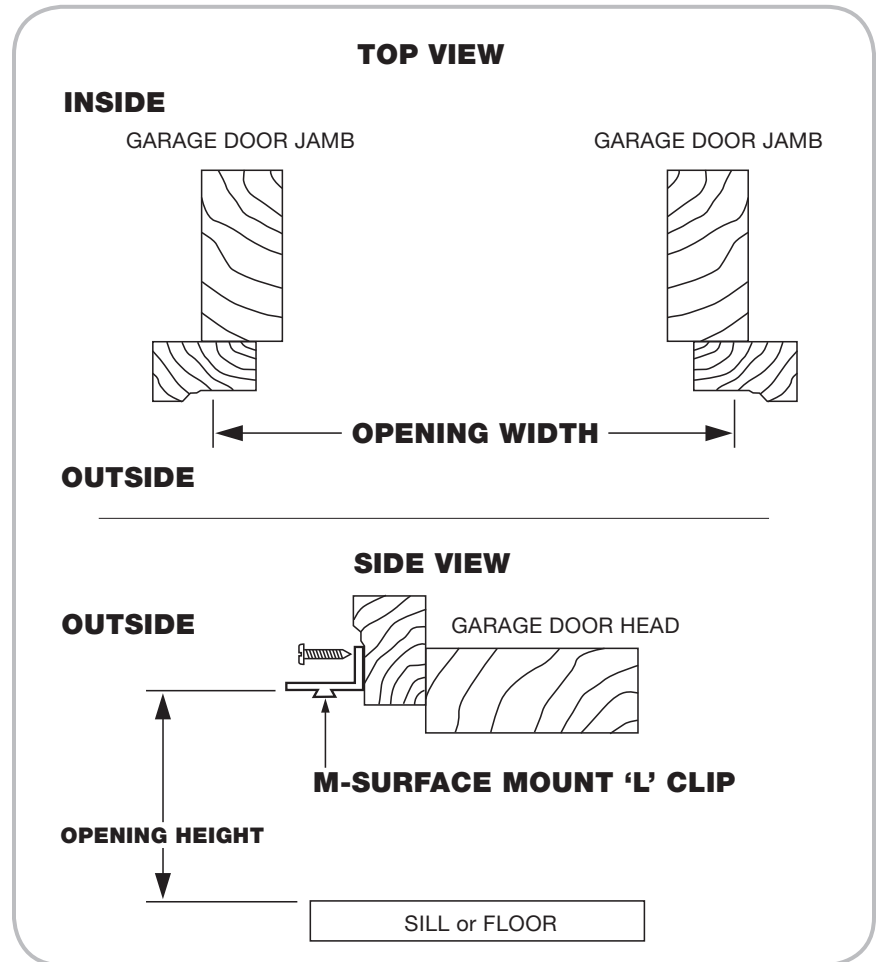


PART DESIGNATIONS

- A** Screen Cassette Assembly
- B** Inside Rails
- D** Pull Bar
- E** Pull Bar End Caps
- F** End Cap with Spring
- G** End Cap with Chain
- H** Chain Lock
- J** Weather Strip
- K** Handle
- L** Pull Bar Locks
- M** Surface Mount 'L' Clips
- N** Screw Cover Caps
- O** Weight Bar
- P** P-#8 x 1" (25mm) Panhead Screw
- Q** #6 x 3/8" (9mm) Phillips Panhead Screw

1 MEASURING AND CUTTING

Determine the maximum opening height & width for mounting your screen, as shown below. Check for interference with garage door.



IMPORTANT
Use a square or miter box to insure straight cuts on the cassette.

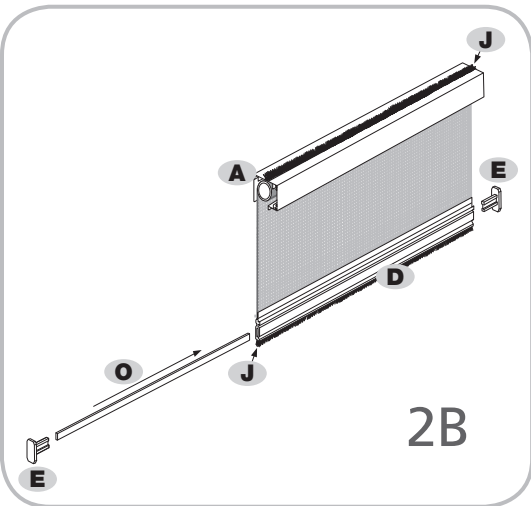
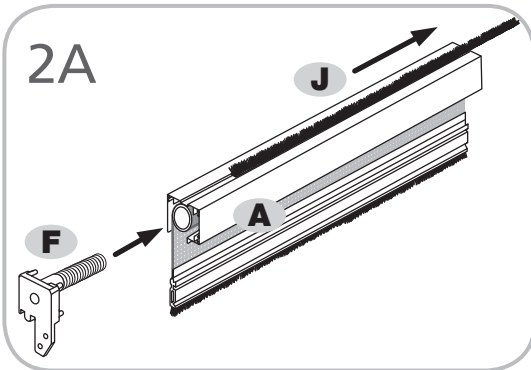
Record your opening measurements on the chart below to calculate your measurements.

Width		
OPENING WIDTH _____ "	LESS 7/8" TO ALLOW FOR END CAPS - 7/8"	CASSETTE LENGTH = _____ "
Height		
OPENING WIDTH _____ "	LESS 2-1/8" TO ALLOW FOR CASSETTE END CAPS AND RECESS MOUNT CLIPS - 2 1/8"	INSIDE & OUTSIDE RAIL LENGTHS (B & C) = _____ "

Cut all parts to length using the calculations above.
Keep the plastic film on the cassette until all cuts are completed.

2 PREPARING THE SCREEN CASSETTE

Remove the **J-Weatherstrip** from the **A-Screen Cassette Assembly** [2A]. Insert **F-End Cap with Spring** into the correct end of the **A-Screen Cassette Assembly** (the assembly will only fit correctly in one end) [2A]. Make sure to line up the spring and bushing notches with the slot in the center screen tube. Wind the spring clockwise the number of turns designated in the following chart and push the **F-End Cap with Spring** in place on the **A-Screen Cassette Assembly**. A rubber mallet is helpful to fully seat the **F-End Cap with Spring**. Note that the spring in the cassette is for tension only. You will need to raise and lower the screen by using the **G-End Cap Chain**.

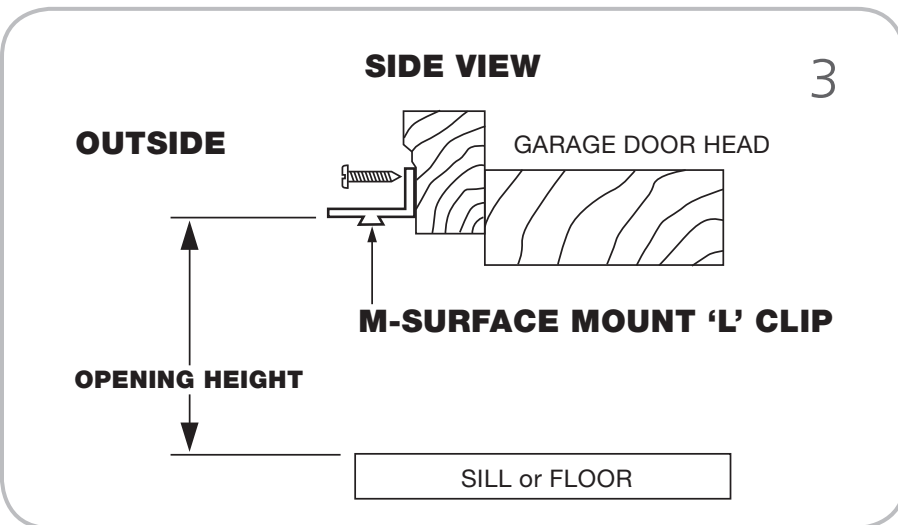
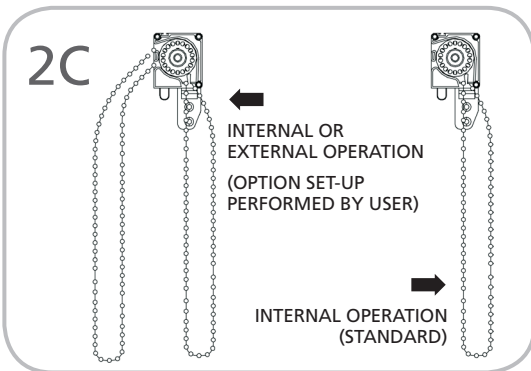


OPENING WIDTH	SPRING TENSION
36" - 72"	25
73" - 120"	30
120" - 140"	35
140" - 192"	40

OPPOSITE END OF CARTRIDGE

Test **Chain Guide** for smooth operation. If it's too tight, loosen allen screw. Insert the **F-End Cap with Chain** into **A-Screen Cassette Assembly** and push into place. The **F-End Cap with Chain** is setup for internal operation (operating from one side). If desired this can be disassembled and altered to allow for either internal or external operation [2C].

Slide one piece of the **J-Weatherstrip** into bottom slot of **D-Pull Bar** and the other piece into the top of **A-Screen Cassette Assembly**. Insert the **O-Weight Bars** inside the hollow of the **D-Pull Bar**. Insert **E-Pull Bar End Caps** into ends of **D-Pull Bar** [2B].

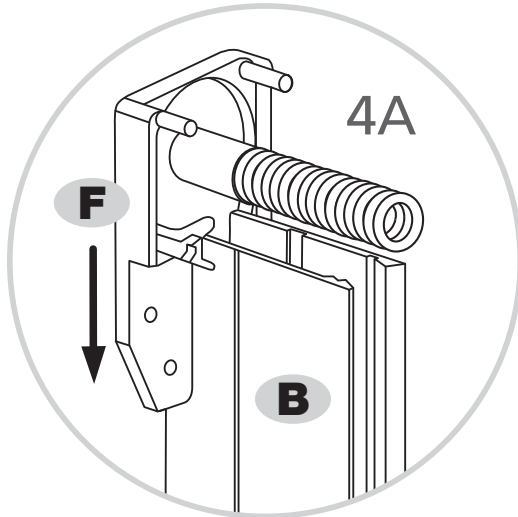


3 MOUNTING THE SCREEN CASSETTE

Slide the **M-Surface Mount 'L' Clips** into the top of the **A-Screen Cassette**. The clips should be evenly spaced between garage door jambs. Make sure cassette is level and then screw clips in place [below].

NOTE: It is recommended to put (4) four **M-Surface Mount 'L' Clips** in the 16' screens and (2) two **M-Surface Mount 'L' Clips** for 8' to 10' screens.

4 INSTALLING SIDE RAILS



Install the L-Pull Bar Locks at the bottom of each B-Inside Rail. Be sure that the L-Pull Bar Lock engages the D-Pull Bar as shown in image [4C]. Slide B-Inside Rails onto the tabs protruding from the F and G-Cassette Caps, with the shorter pile to the inside. Use an 1/8" drill bit and first drill through both sides of the B-Inside Rails where they are to be fastened. Next, using a 3/8" bit, drill through the outside face only. This will allow you to snap the N-Screw Cap Covers in place. Square and attach B-Inside Rails with P - #8 x 1" (25mm) Phillips Panhead Screws. N-Screw Cap Covers.

Using the height adjustment wheel on the L-Pull Bar Lock, adjust the height to the appropriate level so that it easily engages the L-Pull Bar. When correctly adjusted the latching and unlatching should be smooth and easy.

5 CHAIN LOCK

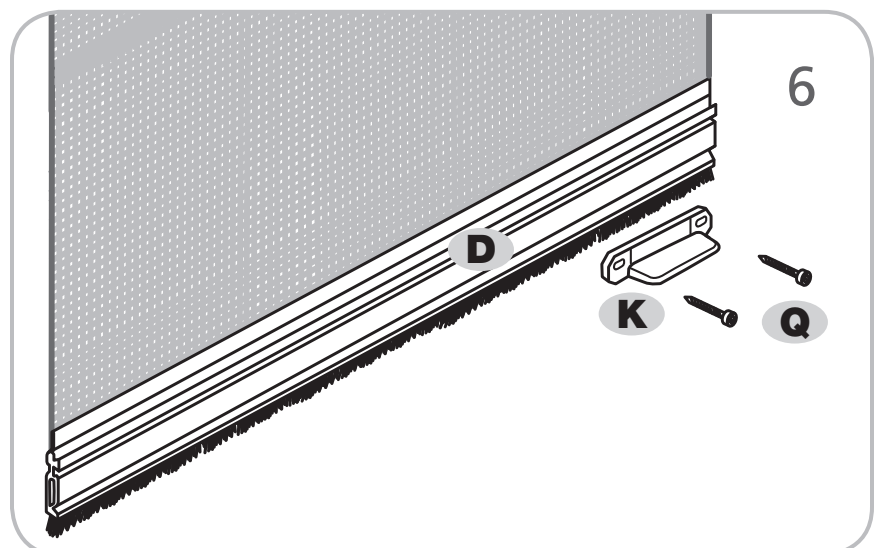
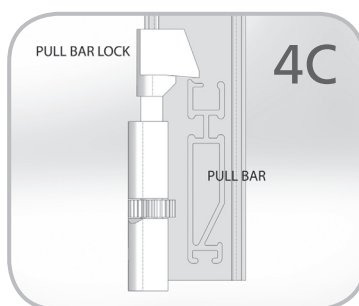
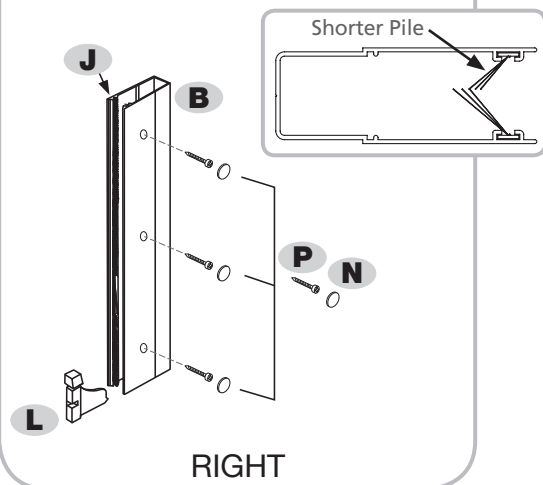
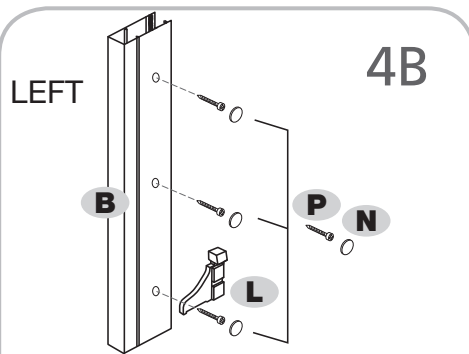
Position H-Chain Lock on the side wall jamb so that it rests approximately 42" up from the sill of the floor. Attach the side jamb using P - #8 x 1" (25mm) Phillips Panhead Screws.

When the screen is fully extended and being used the Pull Chain should be operated so that the screen fabric is taut in the opening and then the chain should be secured by the H-Chain Lock. This will help retain the screen fabric in the B-Inside Rails as wind hits the screen fabric.

CAUTION: Keep chain out of the reach of children at all times.

6 FOOT RELEASE LEVER

The K-Foot Release Lever is an optional feature that makes it easier to slightly rotate the D-Pull Bar in order to disengage the L-Pull Bar Locks without bending over. Before installing, position the K-Foot Release Lever 12" to 20" from the end of the D-Pull Bar on the side closest to the Pull Chain. Attach the K-Foot Release Lever to the D-Pull Bar using two Q - #6 x 3/8" (9mm) Phillips Panhead Screws.



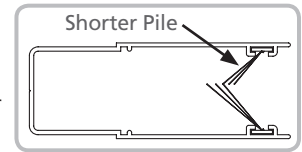
Windy conditions may affect the performance of a retractable screen. Retract the screen in windy circumstances, during inclement weather, when not needed to support immediate ventilation or during prolong periods when not used.

TROUBLESHOOTING GUIDE

Retractable screens should always be installed square, plumb and level.

THE SCREEN FABRIC GETS BLOWN OUT OF THE SIDE TRACKS

- ▶ An Anti-Wind Brush Pile is located inside the B-Inside Rails. This Anti-Wind Pile is designed so that the stiff bristles of the Brush Pile will engage inside the holes of the screen fabric as wind blows/pushes on the fabric. Check that the aluminum walls of the B-Inside Rails have not been bent outward during customer installation since this will prevent proper engagement. If needed take your thumb and forefinger and gently run them along the length of the B-Inside Rails altering these back into a straight 90-degree position. This will reposition the Anti-Wind Pile so that it can perform as intended.
- ▶ Be sure that the L-Pull Bar Lock engages the D-Pull Bar as shown in image [4C]. Using the height adjustment wheel on the L-Pull Bar Lock, adjust the height to the appropriate level so that it easily engages the L-Pull Bar. When correctly adjusted the latching and unlatching should be smooth and easy and the screen will stay latched until manually released.
- ▶ Check that the Anti-Wind Brush Pile has not been deformed or damaged and that it is still pointing in a 60 degree angle within the B-Inside Rails.
- ▶ Add an additional O-Weight Bar (or other ballast material) inside the D-Pull Bar.
- ▶ Windy conditions may affect the performance of a retractable screen. Retract the screen in windy circumstances, during inclement weather, when not needed to support immediate ventilation or during prolong periods when not used.



THE SCREEN IS DIFFICULT TO PULL DOWN OR UP

- ▶ Check that the screen has been installed in a square and plumb opening. Adjust the opening as needed.
- ▶ An Anti-Window Brush Pile is located just inside the B-Inside Rails. Gently run your finger or another soft object down each side of the screen fabric in order to release the engagement of the Anti-Wind Brush Pile within the small openings in the Screen Fabric. Now retract the screen.
- ▶ Check and correct any interference (e.g. screws or debris) inside the B-Inside Rails.
- ▶ Check that the D-Pull Bar glides smoothly. Slightly trim the aluminum D-PULL BAR if needed.
- ▶ Check to see if the J-Weather Strip is catching or binding in the B-Inside Rails
- ▶ Remove the plastic Cassette End Cap with Chain from the A-Screen Cassette Assembly and verify that the bolt is not fastened so tightly that it is restricting the operation.

THE SCREEN DOES NOT RETRACT EVENLY

- ▶ Check that the screen has been installed in a square and plumb opening. Correct the opening as needed.
- ▶ Pull the screen all the way down to the bottom of the opening and then retract the screen. This will often help the screen fabric to realign.
- ▶ Pull the screen all the way down to the bottom of the opening. Look to see if there are creases in the fabric or other signs indicating that the screen fabric may have rolled over itself inside the A-Screen Cassette Assembly. If needed remove the A-Screen Cassette Assembly from the opening, extend (unroll) all of the screen fabric and on the A-Screen Cassette Assembly and then retract the fabric making sure to remove any wrinkles or creases.

ANTI-WIND BRUSH PILE MOVES IN THE SIDE GUIDE RAILS

- ▶ The Anti-Window Brush Pile that is located inside the aluminum B-Inside Rails need to be crimped securely in place so that it does not move within the channels of the B-Inside Rails (see step 4).

The L-PULL BAR LOCKS DO NOT CATCH ON THE D-PULL BAR

- ▶ Adjust the height of the latch on the L-Pull Bar Locks using the wheel style finger adjustment. The engagement of the L-Pull Bar Locks to the D-Pull Bar should match image 4C.

THE D-PULL BAR MOVES DURING WINDY CONDITIONS

- ▶ Fasten the Pull Chain in the H-Chain Lock when the screen is resting in the fully up or down position.
- ▶ Add an additional O-Weight Bar (or other ballast material) inside the D-Pull Bar.
- ▶ Windy conditions may affect the performance of a retractable screen. Retract the screen in windy circumstances, during inclement weather, when not needed to support immediate ventilation or during prolong periods when not used.

THE SCREEN IS TORN OR WRINKLED

- ▶ Contact dealer to order a Screen Refill Replacement Kit

THE J-WEATHER STRIP DOES NOT SEAL AGAINST THE FLOOR/SILL

- ▶ Check that the screen has been installed in a square and plumb opening. Correct the opening as needed.
- ▶ Contact dealer to order the slightly larger optional Rubber Bulb Seal.
- ▶ Adjust the height of the latch on the L-Pull Bar Locks using the wheel finger adjustment. The engagement of the L-Pull Bar Locks to the D-Pull Bar should match image 4C.
- ▶ Add an additional O-Weight Bar (or other ballast material) inside the D-Pull Bar.
- ▶ Lower the screen tight to the floor/sill and then secure the Pull Chain in the H-Chain Lock.

WHEN RETRACTED THE L-PULL BAR WITH SCREEN FABRIC FALLS DOWN SEVERAL INCHES

- ▶ Secure the Pull Chain in the H-Chain Lock when the screen is resting in the up position.
- ▶ Add spring tension.



Installation Questions? Missing Parts? Replacement Parts?

DON'T GO BACK TO THE STORE!

Please call our Homeowner HelpLine: 1-888-483-3768