

Genius Milano

Premium Retractable Screen Door

geniusscreens.com



- Available in standard resizable kits or custom made
- Sturdy Milano pull bar
- Cast metal adjustable height handles
- Superior gliding using low friction technology
- Easy to install and operate
- Speed reducer (brake) provides safety and controlled retraction
- Hardware for both recess and surface mount applications
- Full length magnetic seal
- Available in single or double panel door screens
- Charcoal color 18x16 insect screen fabric (other optional fabrics available)

Genius[®]
Retractable Screen Systems

SERIES: Milano

Available in Standard Resizable Screen Kits or Custom Made Screens

STANDARD RESIZABLE SCREEN KITS: 42mm Screen Cassette

MODEL	DESCRIPTION	WIDTH	HEIGHT	LIST PRICE
MIL100	SINGLE PANEL DOOR SCREEN	48"	84"	
MIL100	SINGLE PANEL DOOR SCREEN	48"	100"	
MIL200	DOUBLE PANEL DOOR SCREEN	72"	84"	
MIL200	DOUBLE PANEL DOOR SCREEN	72"	100"	
MILSG*	SINGLE PANEL SMOOTH-GLIDE COUNTER BALANCED DOOR SCREEN	72"	86"	
MILSG*	SINGLE PANEL SMOOTH-GLIDE COUNTER BALANCED DOOR SCREEN	72"	100"	

* Standard resizable screen kits are equipped with 18x16 insect screen fabric. For alternate fabrics, see page 3 and use Custom Made Screen pricing.

CUSTOM MADE SCREENS: 42mm Screen Cassette

MODEL	DESCRIPTION	WIDTH*	HEIGHT	LIST PRICE
MIL100	SINGLE PANEL DOOR SCREEN	12" – 60"	26" – 84"	
MIL100	SINGLE PANEL DOOR SCREEN	12" – 60"	84-1/8" – 100"	
MIL200	DOUBLE PANEL DOOR SCREEN	24" – 108"	26" – 84"	
MIL200	DOUBLE PANEL DOOR SCREEN	24" – 108"	84-1/8" – 100"	

* Alternate screen fabrics may affect the operable width of the screen. For further detail, see the screen fabric options section on page 3.

FRAME COLORS



ORDERING INSTRUCTIONS (Please Specify the Following):

- A. Quantity
- B. Product Model (MIL100, MIL200, MILSG)
- C. Frame Color
- D. Format
 - a) Standard Resizable Screen Kit or
 - b) Custom Made Screen (if Custom Made indicate if the screen will be recess or surface mounted)
- E. Net Screen Opening Size (Width x Height)
- F. Options (specify any other desired options or alternate screen fabrics - see page 3)

MILANO SPECIFICS USING 18x16 INSECT SCREEN

	MINIMUM WIDTH	MAXIMUM WIDTH	MINIMUM HEIGHT	MAXIMUM HEIGHT
Single Panel Doors	12"	60"	26"	100"
Single Smooth-Glide (Counter Balanced)	12"	72"		
Double Panel Doors	24"	108"		

Alternate fabrics will impact the maximum allowable width. Please see Custom Made Screen Fabric Options for details.

PRODUCT NOTES:

The default screen fabric for Milano series is the 18x16 Insect Screen.

Smooth-Glide Screens: The maximum allowable width = Door Height minus 13" (330.2mm)

SERIES: Milano

SCREEN FABRIC OPTIONS – Apply to Custom Made Screen pricing

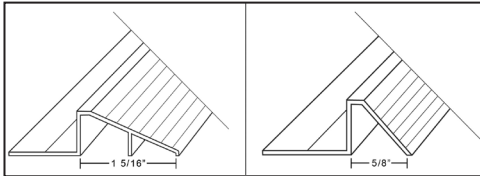
Better Vue Low Visibility Screen Traditional Roller Style Screens: 60" Max Width Per Panel Smooth-Glide Roller Style Screens: 66" Max Width / 36mm Cassette	Color: Charcoal	Add	to List Price
17 x 20 Ultra Strength Screen 42" Max Width per Panel	Colors: Black or White	Add	to List Price
Heavy Duty Pet Screen 44" Max Width per Panel	Color: Charcoal	Add	to List Price
2030 Solar Control Screen Fabric 68" Max Width per Panel	Color: Charcoal	Add	to List Price

OTHER OPTIONS

AVAILABLE THRESHOLD TRANSITIONS WHEN ORDERED WITH THE DOOR SCREEN:

(Genius recommends that you deduct 1/16" from height of the net screen opening when using a transition)

Narrow Threshold Transition with End Caps	Color: Silver or Bronze	List Price Per Lineal Inch of the Width Measurement
Medium Threshold Transition with End Caps	Color: Silver or Bronze	List Price Per Lineal Inch of the Width Measurement



MEDIUM

NARROW

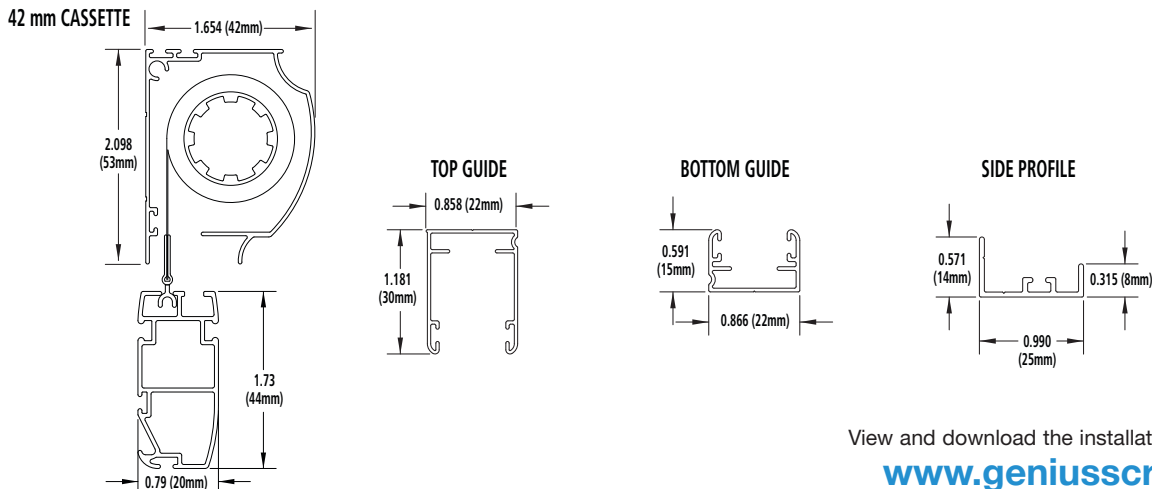
Rubber "L" Bug Seal For Use in the Back Channel of the Screen Cassette (not installed)	List Per Lineal Inch of the Width Measurement
Single panel door screens also available using a mechanical latch	No Additional Charge
No Speed Reducer (Brake)	Deduct List
Wind Pile Weather Strip In The Top Guide Rail	No Additional Charge
Sloped Wedge Shim (12" each) for Use With Traditional 15mm x 22mm Bottom Guide	\$ List Price - Each
Sloped Wedge Shim (12" each) for Use With Narrow Threshold Transition	\$ List Price - Each
Sloped Wedge Shim (12" each) for Use With Medium Threshold Transition	\$ List Price - Each

(Genius recommends that you deduct 1/8" from height of the net screen opening when using Sloped Wedge Shims)

THRESHOLD TRANSITION KITS (2 pieces plus end caps per each kit):

TRANSITION STYLE	DESCRIPTION	PART # SILVER FINISH	PART # BRONZE FINISH	LIST PRICE
NARROW	2 Pieces 40" Long	06-01120-0-0	06-01120-1-2	
NARROW	2 Pieces 72" Long	06-12010-0-0	06-12010-1-2	
MEDIUM	2 Pieces 40" Long	06-01130-0-0	06-01130-1-2	
MEDIUM	2 Pieces 72" Long	06-12020-0-0	06-12020-1-2	

PART PROFILES



View and download the installation instructions at:

www.geniusscreens.com

SCREEN CARE & USE: Retractable screens are designed to support fresh natural ventilation and to provide protection against small air born or crawling insects. Unlike 4-sided fixed framed screens, retractable screens retract in and out of a protective cassette so that you can enjoy an unobstructed view when the screen is not being used. The exposed surface area of the fabric is flexible. This means that during windy conditions or inclement weather, the screen should be retracted so that the fabric is hidden away and completely protected. This screen is not intended to be left open and exposed continually to wind, sun, rain or other harsh conditions. When the screen is not being actively used to protect people or when it is windy then it should be retracted. Wind can change the alignment of the screen so always make sure that the edges of the screen fabric are riding completely inside the guide rails before retracting the screen.