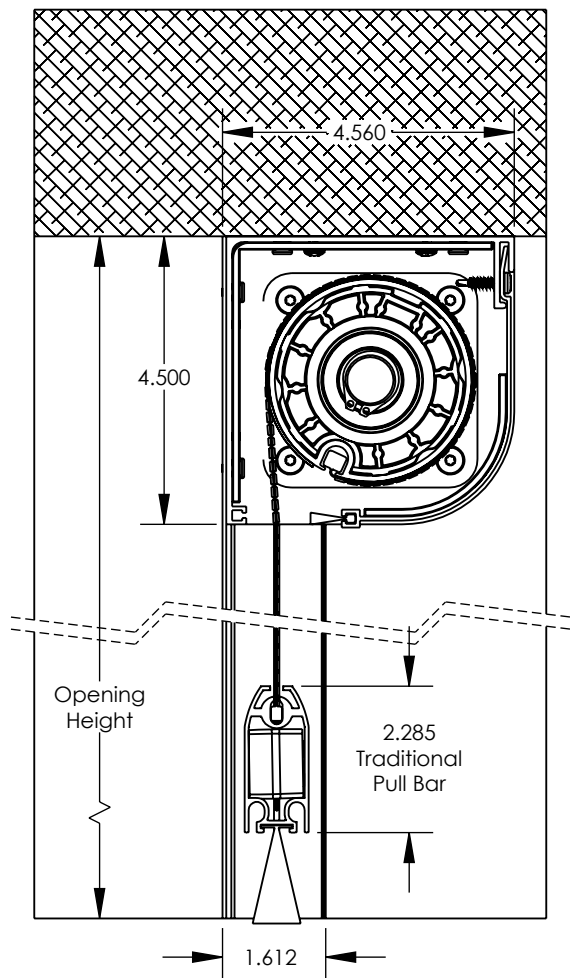


	GENIUS STANDARD TOLERANCE	Genius <small>Retractable Screen Systems</small>	Genius Retractable Screen Systems BROOKINGS, SD
		0.000 TO 0.124: ±0.007	
		0.125 TO 0.499: ±0.010	
		0.500 TO 0.999: ±0.013	
		1.000 TO 1.999: ±0.017	
	2.000 TO 2.999: ±0.020		
	3.00 AND ABOVE: ±0.025		
	ANGULAR TOLERANCE: ±2°		
	○ DENOTES CRITICAL DIMENSION		
	UNLESS OTHERWISE SPECIFIED		
UNLESS OTHERWISE SPECIFIED DIMENSIONS ARE IN INCHES			
<small>THIS DRAWING AND ALL INFORMATION THEREIN IS THE PROPERTY OF GENIUS RETRACTABLE SCREEN SYSTEMS AND IS CONFIDENTIAL. IT MUST NOT BE MADE PUBLIC OR COPIED. THIS DRAWING IS LOANED SUBJECT TO RETURN UPON DEMAND AND SHALL NOT BE USED DIRECTLY IN ANY WAY DETRIMENTAL TO OUR INTEREST. OUR PRIOR SPECIFIC APPROVAL IS REQUIRED FOR EXPOSURE OF THIS DRAWING TO OTHERS FOR ANY PURPOSE. ANY CHANGES TO THESE SPECIFICATIONS NEED WRITTEN APPROVAL.</small>			
	THIRD ANGLE PROJECTION	SCALE: 1:25	DRWN BY: KDN DATE: 2/28/2023

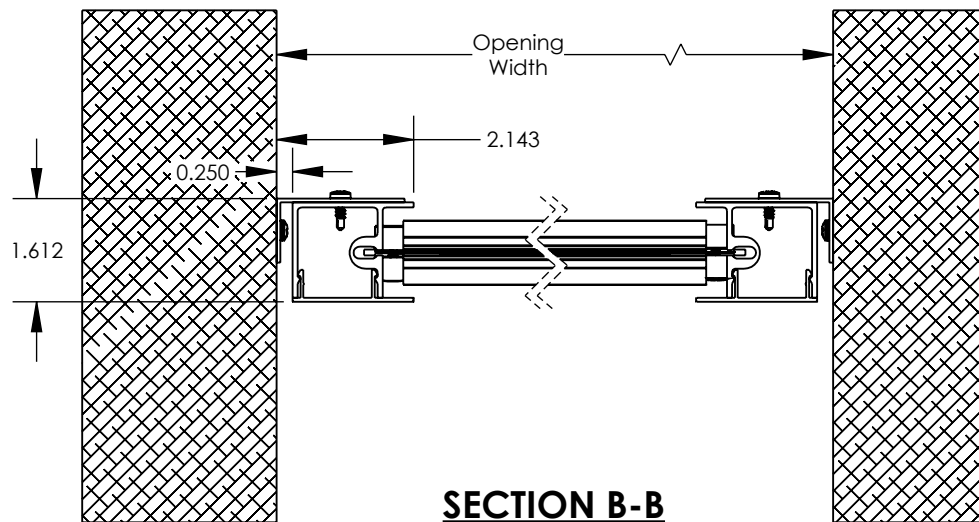
4.5 SCREEN ASSMBY ELEVATION - INSIDE MOUNT

PART NUMBER: 4.5 Screen Assembly - Inside Mount

DRAWING NUMBER: 4.5 Screen Assembly - Inside Mount - Genius (Sheet 1 of 2)



SECTION A-A



SECTION B-B

<p>GENIUS STANDARD TOLERANCE</p> <p>0.000 TO 0.124: ±0.007 0.125 TO 0.499: ±0.010 0.500 TO 0.999: ±0.013 1.000 TO 1.999: ±0.017 2.000 TO 2.999: ±0.020 3.00 AND ABOVE: ±0.025</p> <p>ANGULAR TOLERANCE: ±2° ○ DENOTES CRITICAL DIMENSION UNLESS OTHERWISE SPECIFIED</p>		<p>Genius Retractable Screen Systems BROOKINGS, SD</p>
	<p>4.5 SCREEN ASSMBY ELEVATION - INSIDE MOUNT</p>	
	<p>PART NUMBER: 4.5 Screen Assembly - Inside Mount</p>	
	<p>DRAWING NUMBER: 4.5 Screen Assembly - Inside Mount - Genius (Sheet 2 of 2)</p>	
	<p>UNLESS OTHERWISE SPECIFIED DIMENSIONS ARE IN INCHES</p>	
<p>THIRD ANGLE PROJECTION </p>	<p>SCALE: 1:3</p>	<p>DRWN BY: KDN DATE: 2/28/2023</p>

THIS DRAWING AND ALL INFORMATION THEREIN IS THE PROPERTY OF GENIUS RETRACTABLE SCREEN SYSTEMS AND IS CONFIDENTIAL. IT MUST NOT BE MADE PUBLIC OR COPIED. THIS DRAWING IS LOANED SUBJECT TO RETURN UPON DEMAND AND SHALL NOT BE USED DIRECTLY IN ANY WAY DETRIMENTAL TO OUR INTEREST. OUR PRIOR SPECIFIC APPROVAL IS REQUIRED FOR EXPOSURE OF THIS DRAWING TO OTHERS FOR ANY PURPOSE. ANY CHANGES TO THESE SPECIFICATIONS NEED WRITTEN APPROVAL.